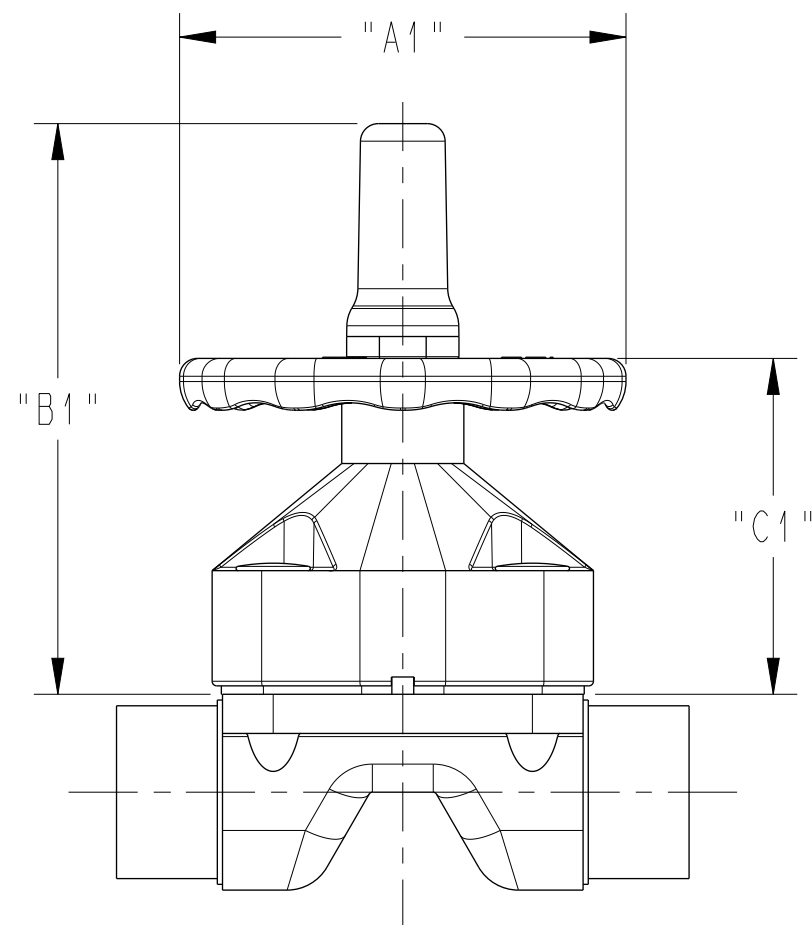


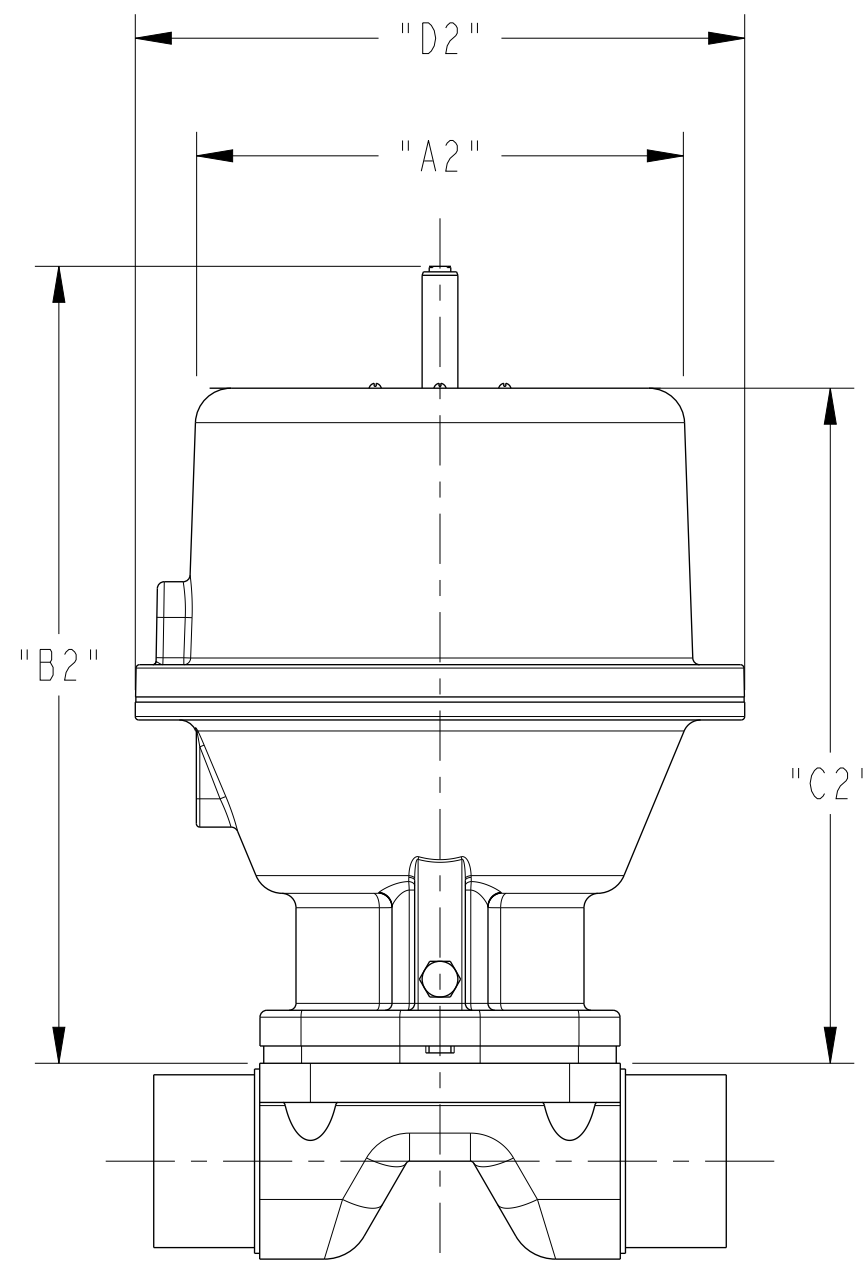
FIGURE NUMBERS

A -

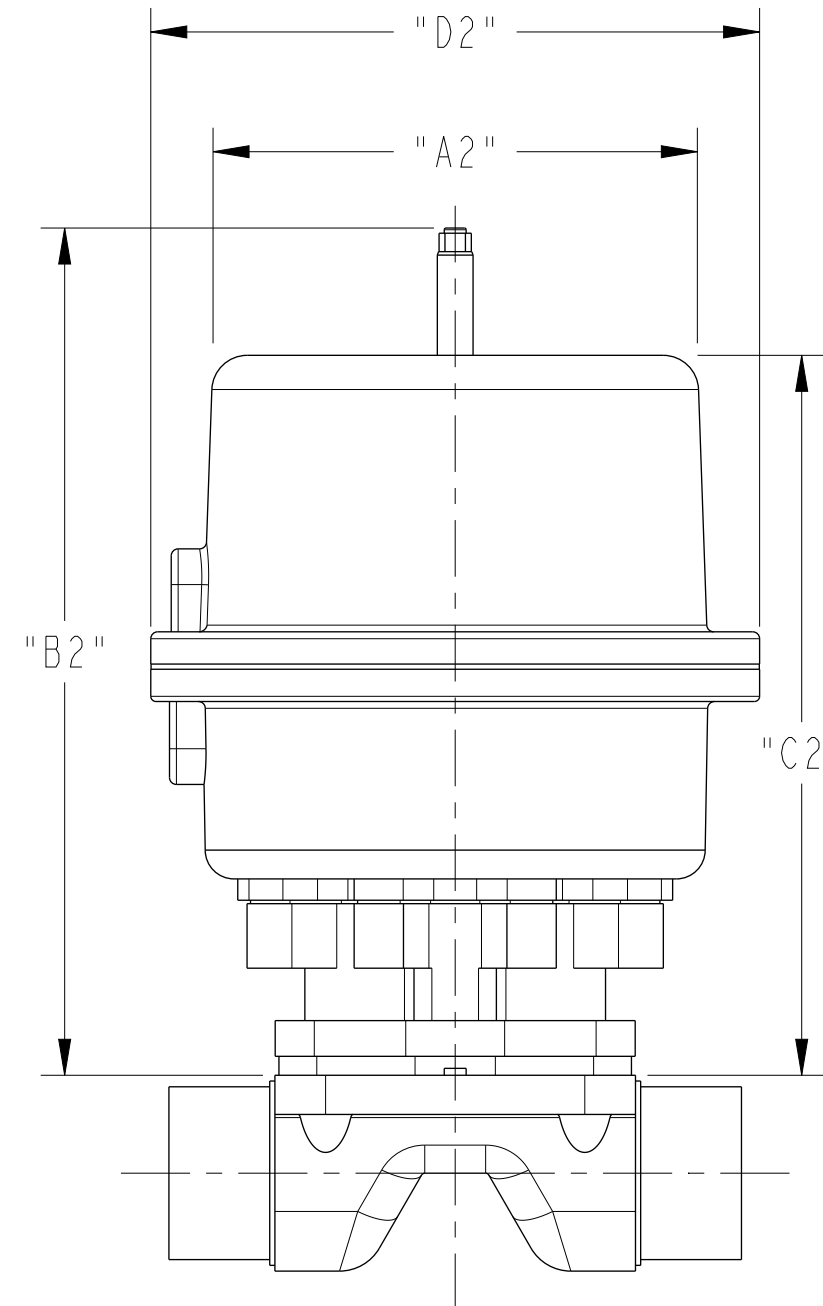
VALVE SIZE	963-913-903			ADV 33				ADV 47			
	"A1"	"B1"	"C1"	"A2"	"B2"	"C2"	"D2"	"A3"	"B3"	"C3"	"D3"
02.50 [DN65]	7.75 [196,9]	9.91 [251,7]	5.83 [148,1]	8.45 [214,6]	13.84 [351,4]	11.72 [297,7]	10.58 [268,7]	8.65 [219,7]	19.58 [497,3]	15.50 [393,7]	14.00 [355,6]
03.00 [DN80]	7.75 [196,9]	9.91 [251,7]	5.83 [148,1]	8.45 [214,6]	13.84 [351,4]	11.72 [297,7]	10.58 [268,7]	8.65 [219,7]	19.58 [497,3]	15.50 [393,7]	14.00 [355,6]
04.00 [DN100]	10.15 [257,8]	12.16 [308,9]	7.50 [190,5]	8.45 [214,6]	14.71 [373,6]	12.50 [317,5]	10.57 [268,5]	8.65 [219,7]	20.16 [512,1]	16.09 [408,7]	14.00 [355,6]



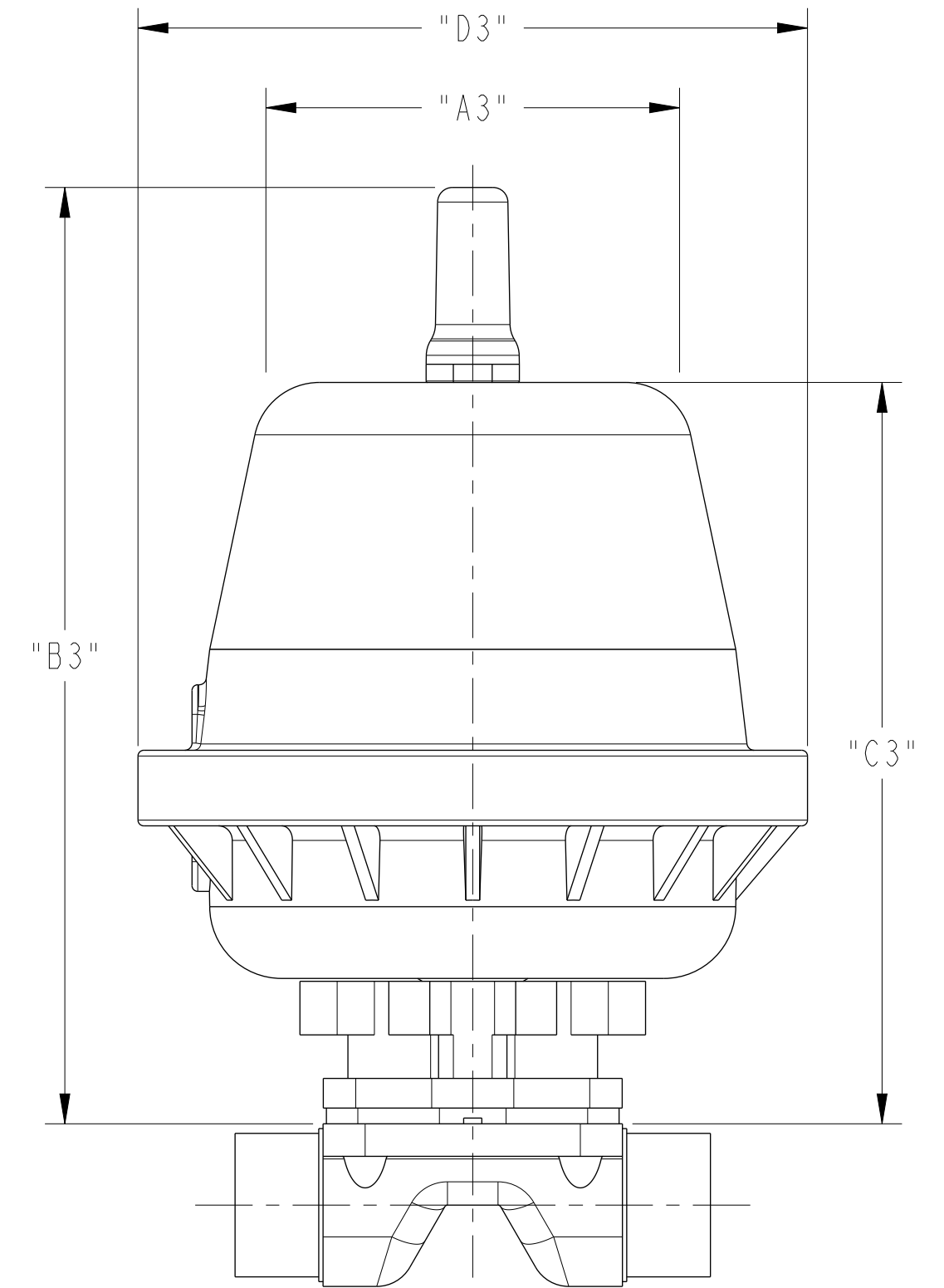
963 PAS
913 SS
903 CI



2-1/2" & 3" ADV 33
(31 BONNET)



4" ADV 33
(34 BONNET)



ADV 47

THIS DOCUMENT IS THE SOLE PROPERTY OF ITT CORPORATION, OR ITS SUBSIDIARY, AND IS PROVIDED SUBJECT TO RETURN. IT IS ISSUED IN STRICT CONFIDENCE AND SHALL NOT BE REPRODUCED, OR COPIED, OR DISCLOSED IN WHOLE OR IN PART, OR USED AS THE BASIS FOR THE MANUFACTURE OR SALES OF APPARATUS OR PARTS TO WHICH THE DOCUMENT RELATES, WITHOUT THE EXPRESS WRITTEN CONSENT OF ITT CORPORATION, OR ITS SUBSIDIARY. THIS LEGEND SHALL BE MARKED ON ANY REPRODUCTION HEREOF, IN WHOLE OR IN PART. ALL RIGHTS TO THE INFORMATION AND DESIGN DISCLOSED HEREIN ARE RESERVED TO ITT CORPORATION, OR ITS SUBSIDIARY.

PURE-FLO ORDER: -	ITEM: -	THIRD ANGLE PROJECTION	UNLESS OTHERWISE NOTED	DATE	BY	TOPWORKS OUTLINE	 Pure-Flo www.ittpureflo.com	
CUSTOMER: -			INCH MM	DWN 07/07/22	JAS	02.50 - 04.00		
CUSTOMER PO: -			X = ± 0.06 .X = ± 0.06 .XX = ± 0.06 .XXX = ± 0.02 X/X = ± 1/16 X° = ± 1°	CHKD 07/07/22	KRP			
OTHER INFO: -		UNLESS OTHERWISE SPECIFIED, ALL DIMENSIONS ARE IN INCHES/LMM	X = ± 1.5 .X = ± 1.5 .XX = ± 1.5 X° = ± 5° X° = ± 5°	APVD 07/07/22	TJS	MASTER DWG: A27242/B		
						ECN# 18837	ISSUED BY: -	CERT BY: -