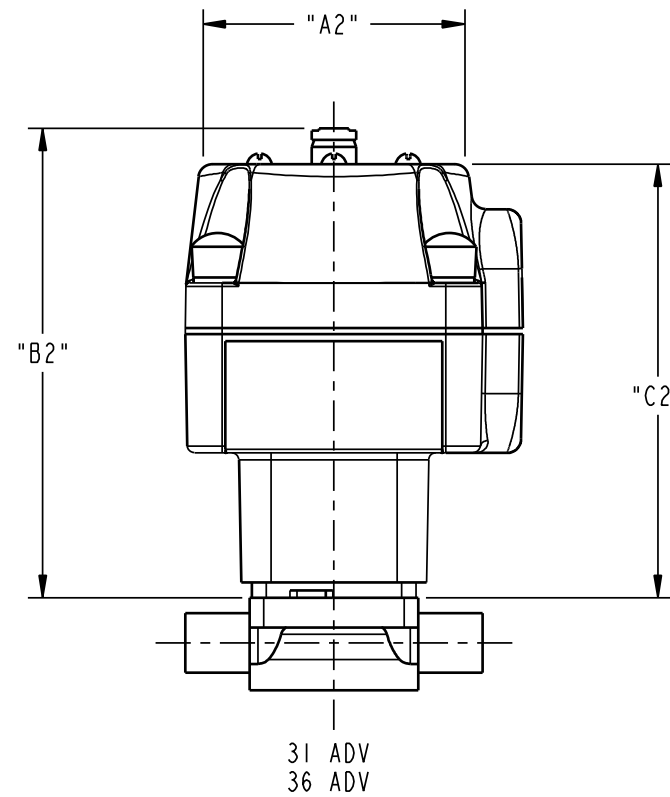
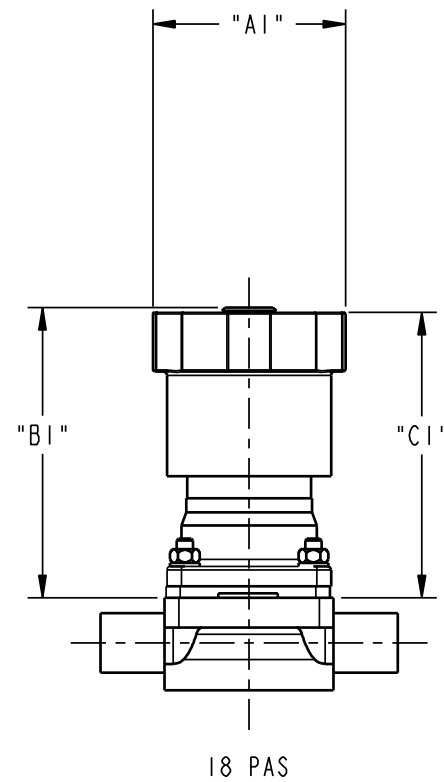


FIGURE NUMBERS

ASSEMBLY: -

VALVE SIZE	18 PAS			ADV		
	"A1"	"B1"	"C1"	"A2"	"B2"	"C2"
00.25 [DN8]	1.62 [41,1]	2.44 [62,0]	2.40 [61,0]	2.25 [57,2]	3.95 [100,3]	3.65 [92,7]
00.38 [DN10]	1.62 [41,1]	2.44 [62,0]	2.40 [61,0]	2.25 [57,2]	3.95 [100,3]	3.65 [92,7]
00.50 [DN15]	1.62 [41,1]	2.44 [62,0]	2.40 [61,0]	2.25 [57,2]	3.95 [100,3]	3.65 [92,7]



PURE-FLO ORDER: - ITEM: -
 CUSTOMER: -
 CUSTOMER PO: -
 OTHER INFO: -
 ISSUED BY: - CERTIFIED BY: -

THIRD ANGLE PROJECTION

UNLESS OTHERWISE SPECIFIED, ALL DIMENSIONS ARE IN INCHES (MM)

UNLESS OTHERWISE NOTED

INCH		MM	
X	± 0.06	X	± 1,5
.X	± 0.06	.X	± 1,5
.XX	± 0.06	.XX	± 1,5
.XXX	± 0.02		
X/X	± 1/16		
X°	± 1°	X°	± 1°

DATE	BY	DESCRIPTION
11/20/06	MJM	BIO-TEK TOPWORKS OUTLINE
11/20/06	JRD	00.25 - 00.50
11/20/06	JRD	-
11/20/06	JRD	WT: - ECN# 10685 MASTER DWG 009591

ITT Pure-Flo
www.ittpureflo.com

SITE PA	C	009591	REV -
		SHEET 1 OF 1	